

# Technical Bulletin

**Bulletin No.**

**015 Rev. F**

**Subject:**

**Field Radio Communication Failure Checklist for  
E.F. Johnson Radios**

**Page 1 of 4**

**Product Applicability:**

**Evolution and Dx2 Controllers**

**Engineering Release:**

**R. A. Olson**

**Engineering Release Date:**

**June 20, 2003**

**Distribution:**

**APPROVED FOR GENERAL RELEASE**

## Controller with E.F. Johnson Radio

### Evolution or DX2 Controllers

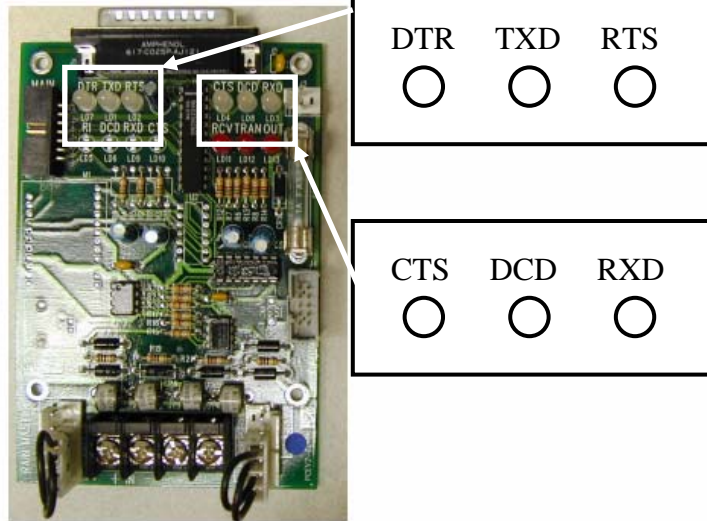
- 1) Is Submaster power on? \_\_\_\_\_.
- 2) Re-enter Submaster address and radio communication mode. The keys to press are shown below for Evolution and Evolution DX2 Controllers.
  - A)  = Pressing QUIT key will ensure you are starting at the base screen.
  - B)  = Main Menu
  - C)  = Set Up
  - D)  = Controller
  - E)  = Configuration
  - F)  = Acts As Submaster
  - G) You must now select the appropriate "Submaster Communication Type" for your Satellite,  = Radio/Wire,  = Phone,  = Trunk. \_\_\_\_\_.
  - H) You must now enter the appropriate "Address" for your Satellite. Enter an address in the range of (0-255) and then press . The base screen will be displayed. \_\_\_\_\_.

- 3) Verify ALL component connections.
- A) Antenna to radio, items (1- 4) on attached drawing DXRAD20B (figure 1 of this document). \_\_\_\_\_.
  - B) 12 Volt DC transformer (EV-PS), items (5- 6) on attached drawing DXRAD20B (figure 1 of this document). \_\_\_\_\_.  
Do you measure +12VDC at the COMM Board J2 connector? Item #6 of DXRAD20B (figure 1 of this document). \_\_\_\_\_.
  - C) Radio connections, items (7– 13) on attached drawing DXRAD20B (figure 1 of this document). \_\_\_\_\_.
  - D) Does your COMM Board have a fuse? \_\_\_\_\_.
    - With Satellite power off, perform a continuity check on the fuse. Does the fuse check OK? \_\_\_\_\_.
    - With Satellite power off, does the fuse seat properly in the holder? \_\_\_\_\_.
    - Be sure to turn Satellite power on when finished. \_\_\_\_\_.
- 4) Monitor DX-RF Board LED activity indicators per Figure 2 of this document.
- From the Rain Master Central PC, “Blue Panel operation”, select the Satellite you wish to test.
  - Press the “down arrow” key.
  - Does the Controller Base Screen appear? \_\_\_\_\_.  
Does an Error Code message appear? \_\_\_\_\_.
  - Repeat several times. Does it consistently communicate? \_\_\_\_\_.  
Does it consistently fail? \_\_\_\_\_. Make note of the Error Code Message.
  - IF YOU ARE STILL UNABLE TO COMMUNICATION WITH THE SATELLITE, STOP. PLEASE CONTACT RAIN MASTER TECHNICAL SUPPORT AT (800) 777-1477.



**PCDX2-COMR**  
 Communications Board  
 for E.F. Johnson Radios

**LED  
 CONDITIONS**



LED conditions with NO RADIO and/or NO EV-PS connected:

<u>SIGNAL</u>	<u>CONDITION</u>
DTR*	GREEN
TXD	RED
RTS	RED
CTS	WHITE
DCD	WHITE
RXD	WHITE

LED conditions with radio connected:

<u>SIGNAL</u>	<u>CONDITION</u>
DTR*	GREEN
TXD	RED
RTS	RED
CTS	RED
DCD	RED
RXD	RED

When communications are in process, the sequence is as follows:

<u>SIGNAL</u>	<u>FROM</u>	<u>TO</u>	<u>THEN</u>
DTR*	GREEN	GREEN	GREEN
TXD	RED	GREEN	RED
RTS	RED	GREEN	RED
CTS	RED	GREEN	RED
DCD	RED	GREEN	RED
RXD	RED	GREEN	RED

\* DTR (Data Terminal Ready) is always asserted - GREEN

**Figure 2**